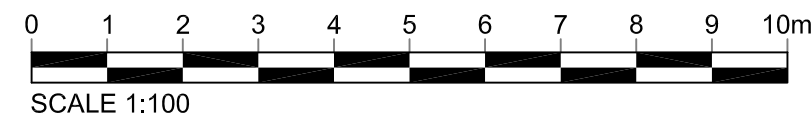
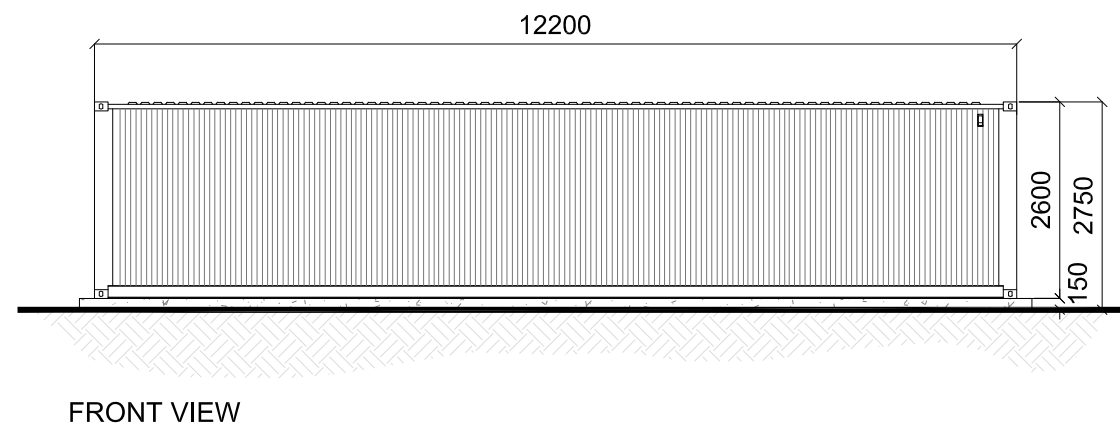
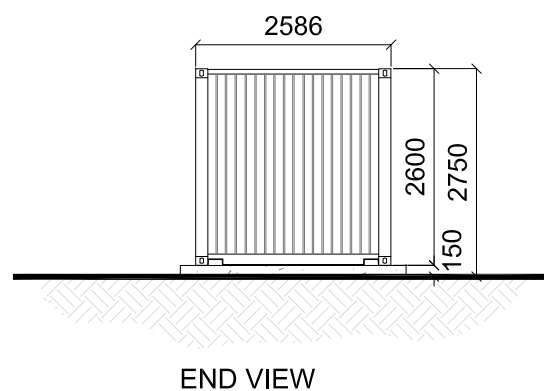
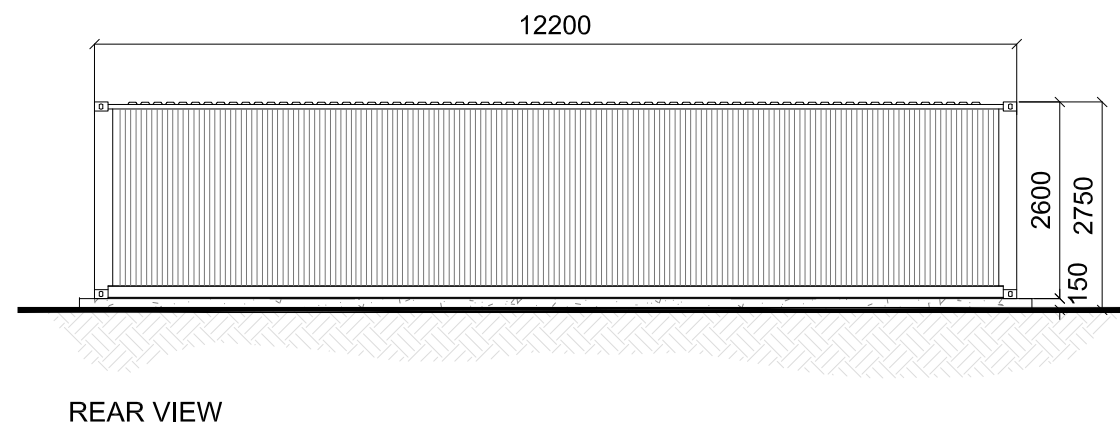
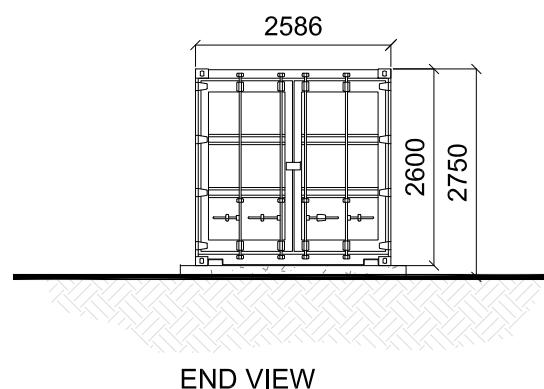
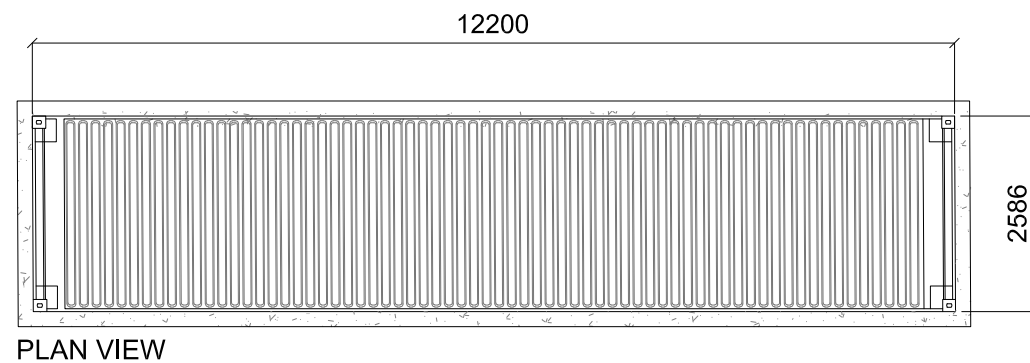


Revisions:

Revision	Date	Revision Notes	Drawn	Inspected
01	12.09.24	First Issue	OM	JH

LEGEND:



Project:

**Maes Bach, Pontypridd**

Consultant:

**Net Zero Twentyfive Limited**

Net Zero Twentyfive Ltd  
 Foresters Hall,  
 25-27 Westow Street,  
 London, SE19 3RY

Tel: +44 (0) 2071172077  
 Mob: +44 (0) 7737601394

Drawn by:



CADmando Design & Drafting Solutions Ltd  
 The Long Barn, The Courtyard, Seven Drive, Tewkesbury  
 Business Park, GL20 9GD  
 Tel: +44 (0) 1684 858019  
 Mob: +44 (0) 7814439910

Status:

**PLANNING**

Drawing Title:

**Standard Drawing:  
 40Ft Welfare Office**

Drawn: OM	Checked: JH	First Issued: 12.09.2024
--------------	----------------	-----------------------------

Project Code: <b>FST025-</b>	Drawing Number: <b>SD-06</b>
---------------------------------	---------------------------------

Sheet Size: <b>A3</b>	Scale: <b>1:100</b>	Revision: <b>01</b>
--------------------------	------------------------	------------------------