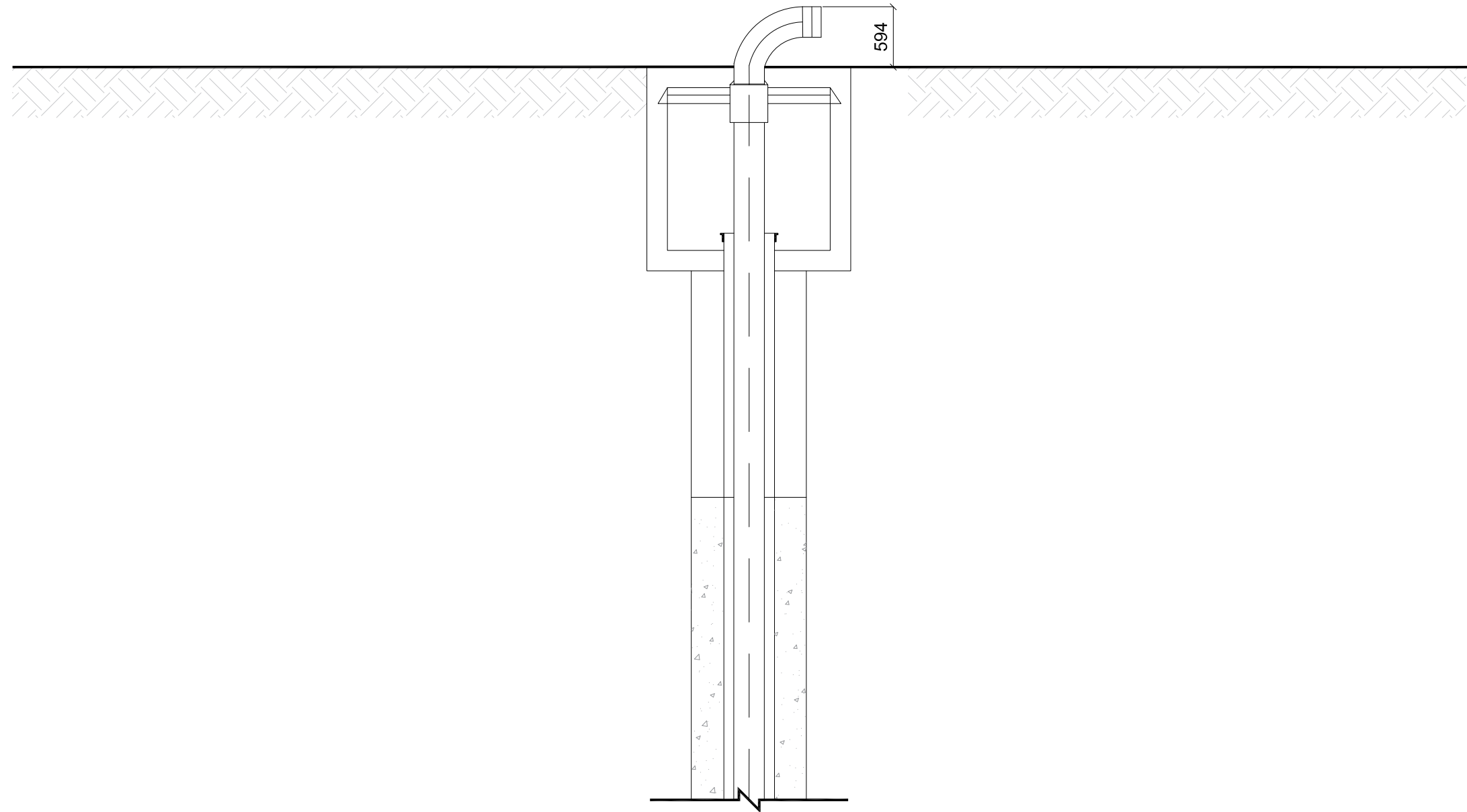


Revisions:

Revision	Date	Revision Notes	Drawn	Inspected
01	14.02.25	First Issue	RR	JH

LEGEND:



Project:

**Tyddyn Forgan**  
**Caernarfon**  
**LL55 3AN**

Consultant:

**Net Zero Twentysix Limited**

Net Zero Twentysix Ltd  
 Foresters Hill  
 25-27 Westow Street,  
 London, SE19 3RY

Tel: +44 (0) 2071172077  
 Mob: +44 (0) 7736621584

Drawn by:



CADmando Design & Draughting Solutions Ltd  
 Unit B2 The Courtyard, Severn Drive, Tewkesbury Business  
 Park, GL20 9SD

Tel: +44 (0) 1684 858019  
 Mob: +44 (0) 7814439910

Status:

**PLANNING**

Drawing Title:

**Standard Drawing:  
 Water Hydrant**

Drawn: RR	Checked: JH	First Issued: 14.02.2025
--------------	----------------	-----------------------------

Project Code: <b>FST016-</b>	Drawing Number: <b>SD-16</b>
---------------------------------	---------------------------------

Sheet Size: <b>A3</b>	Scale: <b>1:50</b>	Revision: <b>01</b>
--------------------------	-----------------------	------------------------

