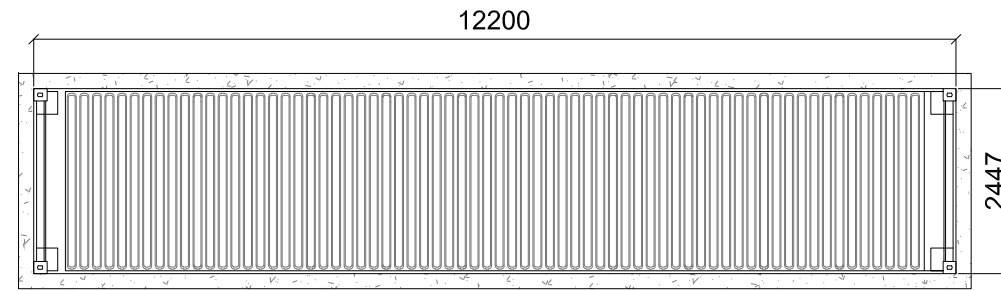


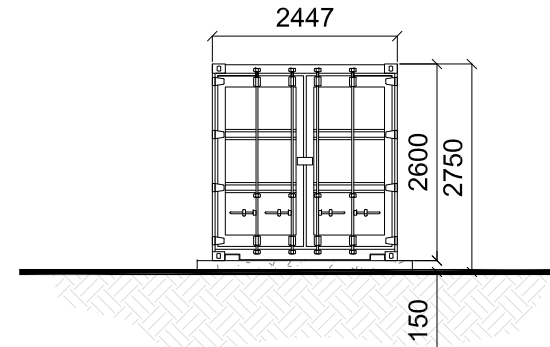
Revisions:

Revision	Date	Revision Notes	Drawn	Inspected
01	04.03.24	First Issue	GM	JH

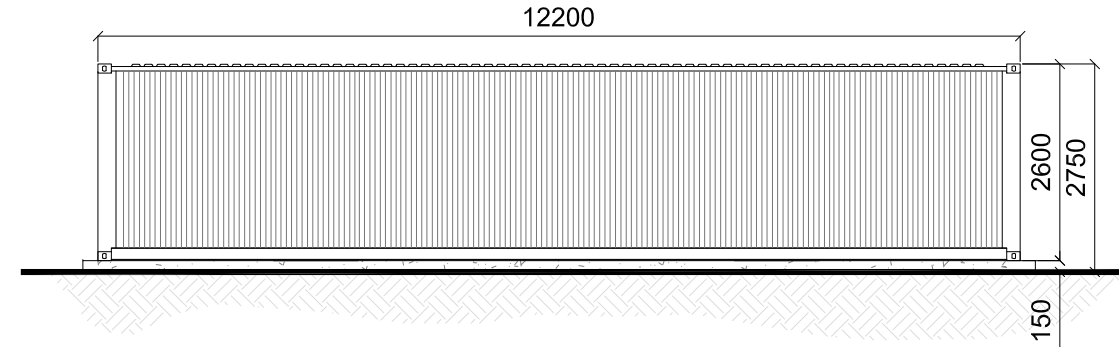
LEGEND:



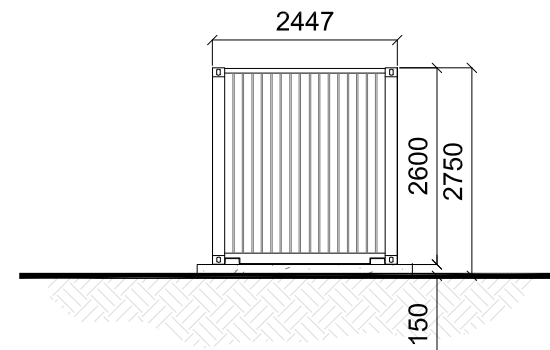
PLAN VIEW



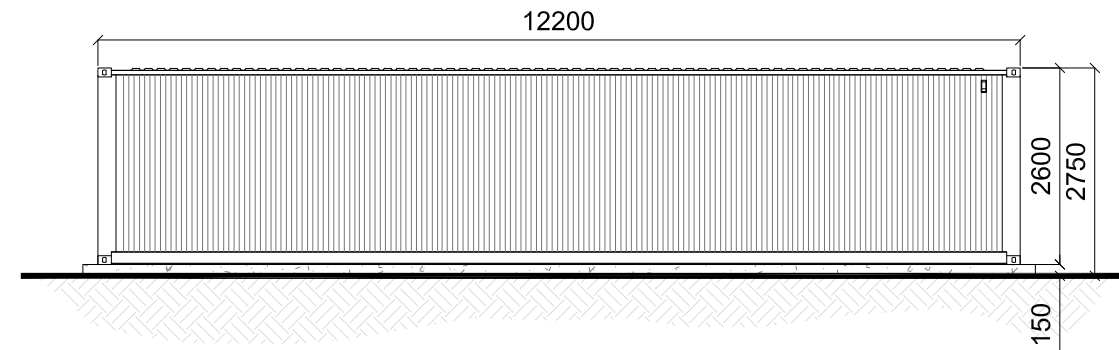
END VIEW



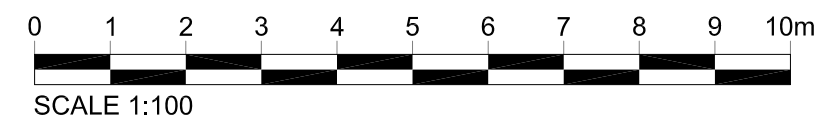
REAR VIEW



END VIEW



FRONT VIEW



Project:

Tyddyn Forgan
 Caernarfon
 LL55 3AN

Consultant:

Net Zero Fourteen Limited

Net Zero Fourteen Ltd
 Foresters Hall,
 25-27 Westow Street,
 London, SE19 3RY
 Tel: +44 (0) 2071172077
 Mob: +44 (0) 7737651384

Drawn by:

CADmando
 2D, 3D CAD & BIM SERVICES
 CADmando Design & Drafting Solutions Ltd
 The Long Barn, The Courtyard, Seven Drive, Tewkesbury
 Business Park, GL20 9GD
 Tel: +44 (0) 1684 858019
 Mob: +44 (0) 7814439910

Status:

PLANNING

Drawing Title:

**Standard Drawing:
 40Ft Customer Switchgear**

Drawn: GM	Checked: JH	First Issued: 04.03.2024
Project Code: FST016-	Drawing Number: SD-13	Revision: 01
Sheet Size: A3	Scale: 1:100	