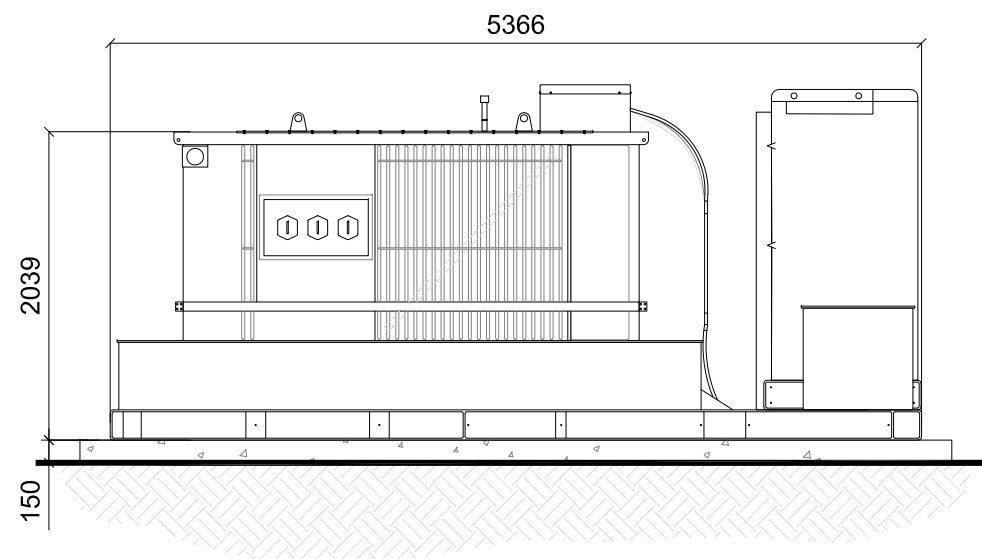


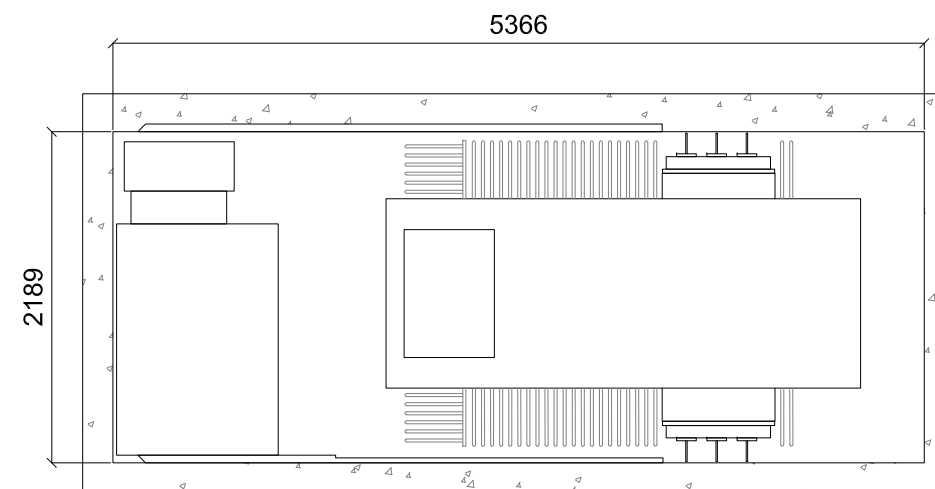
Revisions:

Revision	Date	Revision Notes	Drawn	Inspected
01	04.03.24	First Issue	GM	JH

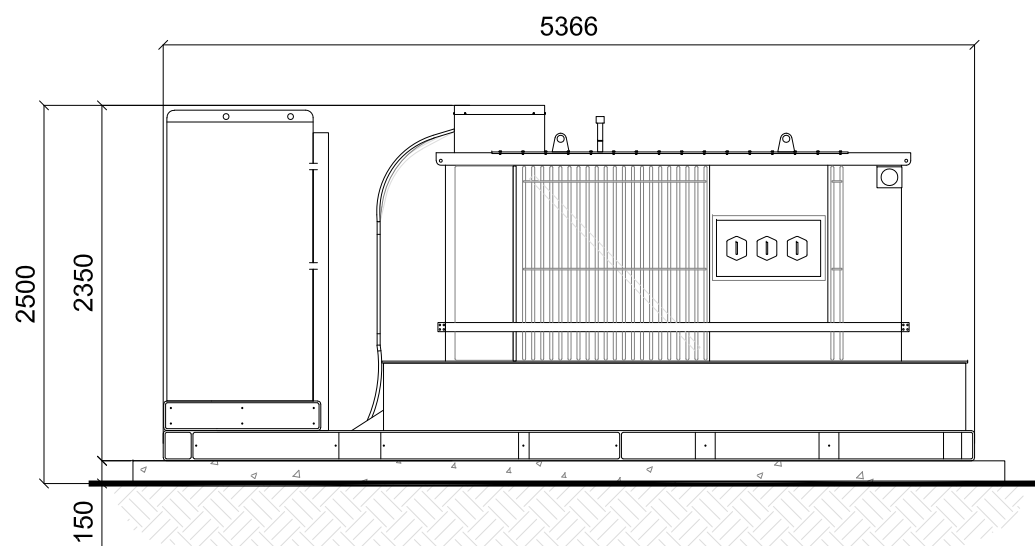
LEGEND:



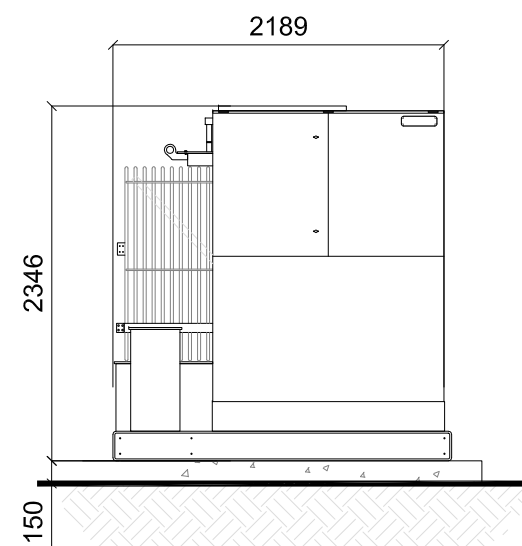
SIDE VIEW



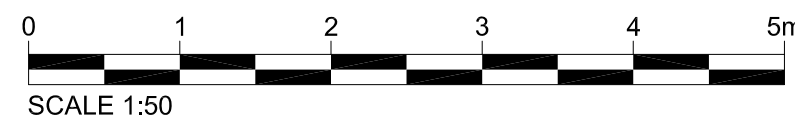
PLAN VIEW



SIDE VIEW



END VIEW



Project:

Tyddyn Forgan
 Caernarfon
 LL55 3AN

Consultant:

Net Zero Fourteen Limited

Net Zero Fourteen Ltd
 Foresters Hall,
 25-27 Westow Street,
 London, SE19 3RY
 Tel: +44 (0) 2071172077
 Mob: +44 (0) 7737651384

Drawn by:

CADmando
 2D, 3D CAD & BIM SERVICES

CADmando Design & Draughting Solutions Ltd
 The Long Barn, The Courtyard, Seven Drive, Tewkesbury
 Business Park, GL20 9GD
 Tel: +44 (0) 1684 858019
 Mob: +44 (0) 7814439910

Status:

PLANNING

Drawing Title:

**Standard Drawing:
 Twin Skid (TX)**

Drawn:

GM

Checked:

JH

First Issued:

04.03.2024

Project Code:

FST016-

Drawing Number:

SD-06

Sheet Size:

A3

Scale:

1:50

Revision:

01