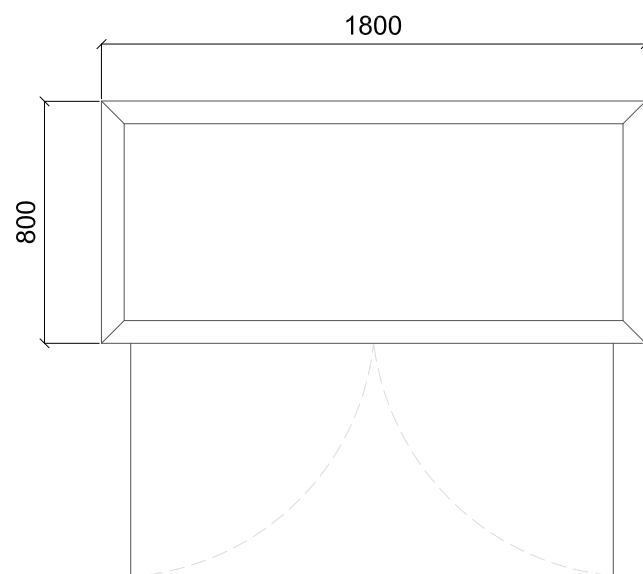


This drawing is the copyright of FIRSTWAY SOLAR Limited and must not be reproduced in whole or in part or used in any manner without their written permission.  
 Scaled dimensions must not be taken from this drawing. All dimensions are to be confirmed on site prior to commencement of work.

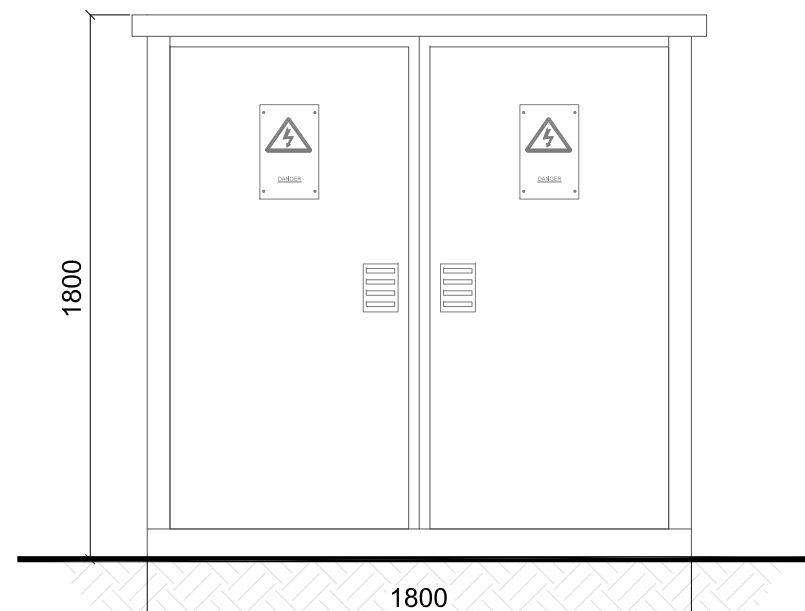
Revisions:

Revision	Date	Revision Notes	Drawn	Inspected
01	04.03.24	First Issue	GM	JH
02	16.01.25	Legend / Titles Amended	HL	JH

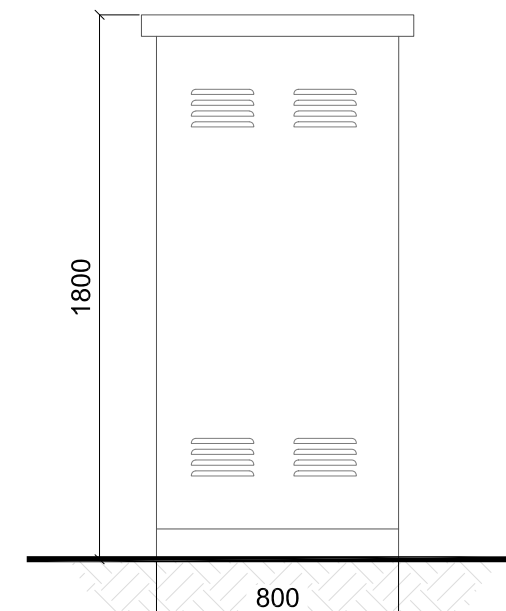
LEGEND:



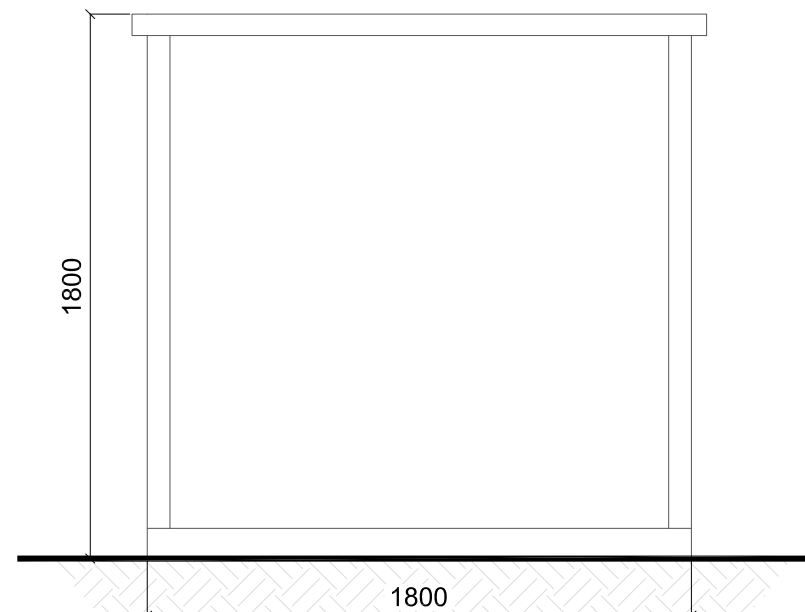
PLAN VIEW



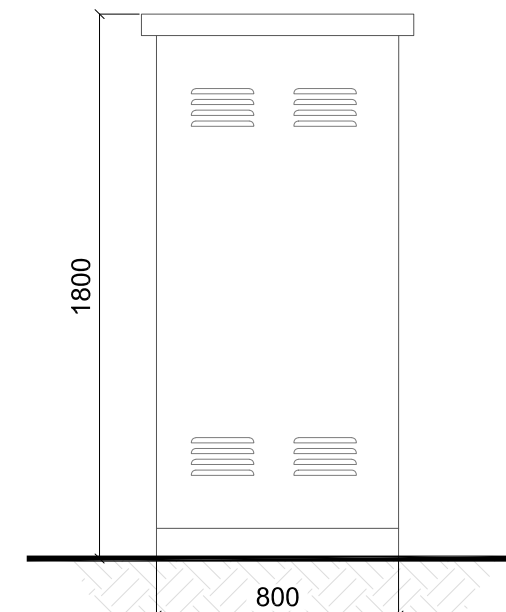
SIDE VIEW



END VIEW



SIDE VIEW



END VIEW

Project:

**Tyddyn Forgan**  
 Caernarfon  
 LL55 3AN

Consultant:

**Net Zero Fourteen Limited**

Net Zero Fourteen Ltd  
 Foresters Hall,  
 25-27 Westow Street,  
 London, SE19 3RY

Tel: +44 (0) 2071172077  
 Mob: +44 (0) 7737651384

Drawn by:

**CADmando**  
 3D, 3D CAD & BIM SERVICES

CADmando Design & Drafting Solutions Ltd  
 The Long Barn, The Courtyard, Seven Drive, Tewkesbury  
 Business Park, GL20 9GD

Tel: +44 (0) 1684 858019  
 Mob: +44 (0) 7814439910

Status:

**PLANNING**

Drawing Title:

**Standard Drawing:  
 ESS Interface Cabinet**

Drawn: GM	Checked: JH	First Issued: 04.03.2024
--------------	----------------	-----------------------------

Project Code: <b>FST016-</b>	Drawing Number: <b>SD-04</b>
---------------------------------	---------------------------------

Sheet Size: <b>A3</b>	Scale: <b>1:25</b>	Revision: <b>02</b>
--------------------------	-----------------------	------------------------