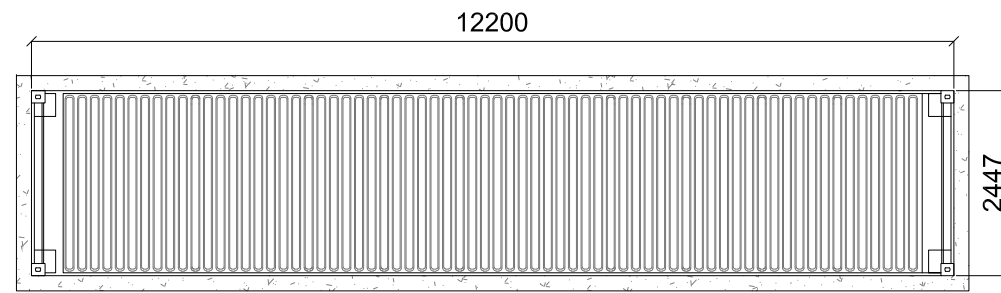


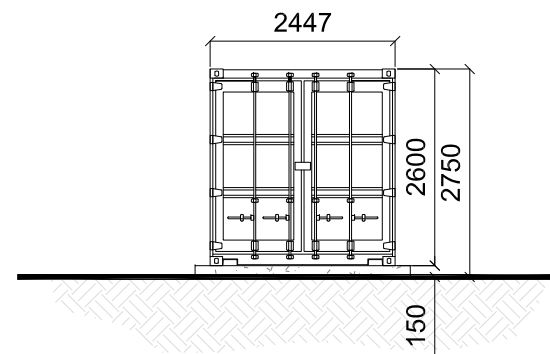
Revisions:

Revision	Date	Revision Notes	Drawn	Inspected
01	04.03.24	First Issue	GM	JH

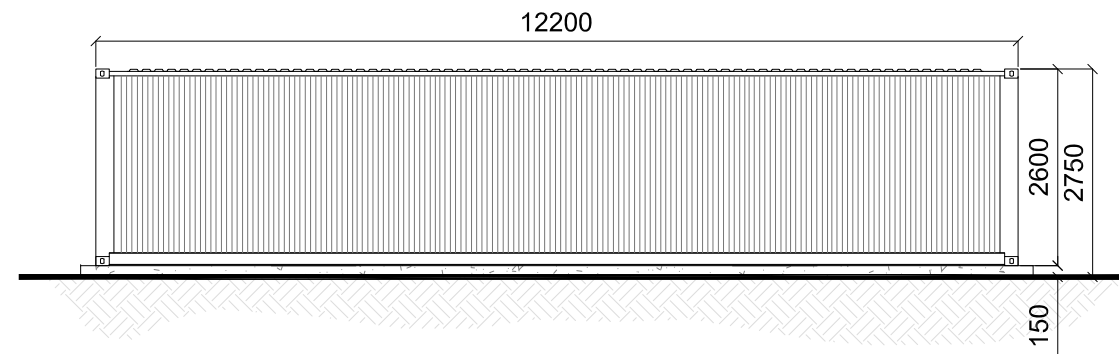
LEGEND:



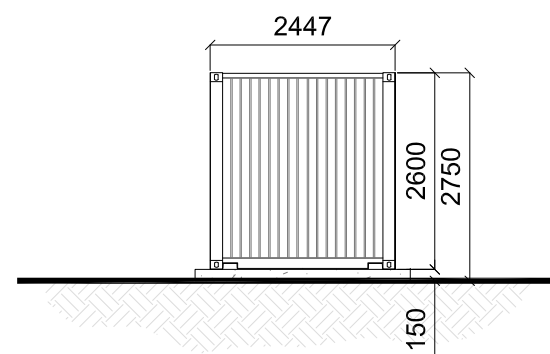
PLAN VIEW



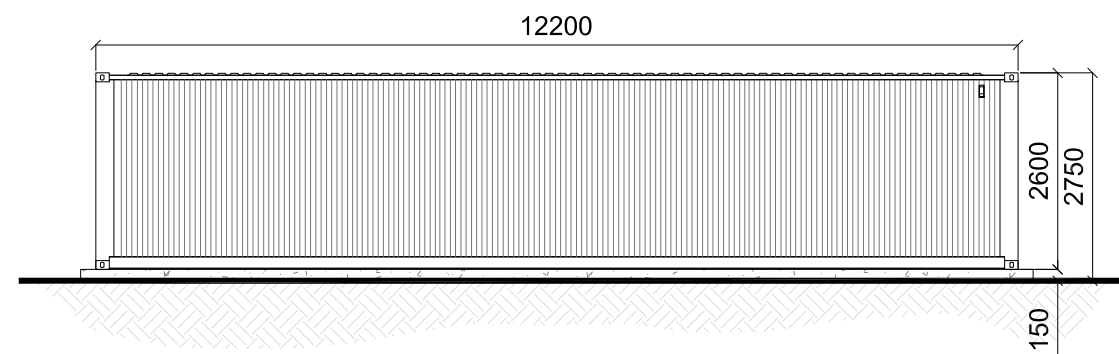
END VIEW



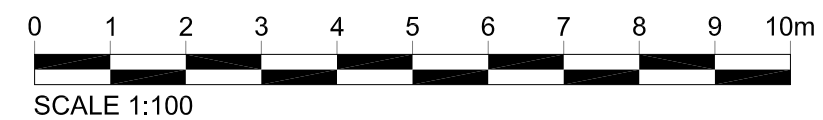
REAR VIEW



END VIEW



FRONT VIEW



Project:

**Tyddyn Forgan**  
 Caernarfon  
 LL55 3AN

Consultant:

**Net Zero Fourteen Limited**

Net Zero Fourteen Ltd  
 Foresters Hall,  
 25-27 Westow Street,  
 London, SE19 3RY  
 Tel: +44 (0) 2071172077  
 Mob: +44 (0) 7737651384

Drawn by:

**CADmando**  
2D, 3D CAD & BIM SERVICES  
 CADmando Design & Draughting Solutions Ltd  
 The Long Barn, The Courtyard, Seven Drive, Tewkesbury  
 Business Park, GL20 9GD  
 Tel: +44 (0) 1684 858019  
 Mob: +44 (0) 7814439910

Status:

**PLANNING**

Drawing Title:

**Standard Drawing:  
 40Ft Spare Parts Container**

Drawn: GM	Checked: JH	First Issued: 04.03.2024
Project Code: <b>FST016-</b>	Drawing Number: <b>SD-03</b>	
Sheet Size: <b>A3</b>	Scale: <b>1:100</b>	Revision: <b>01</b>