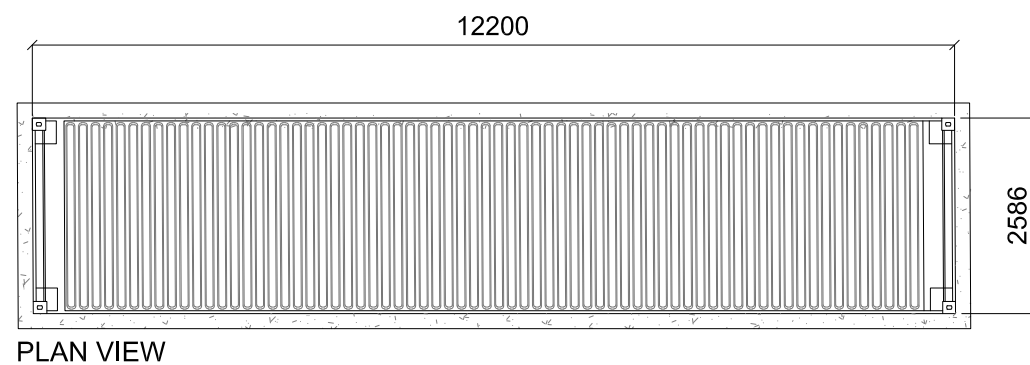


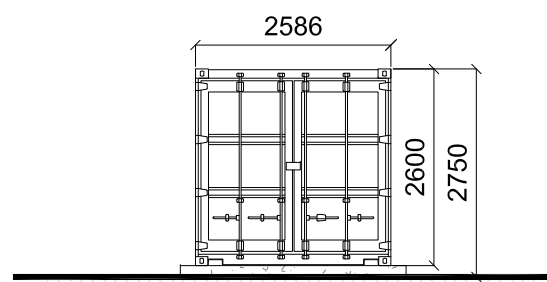
Revisions:

Revision	Date	Revision Notes	Drawn	Inspected
01	12.09.24	First Issue	OM	JH

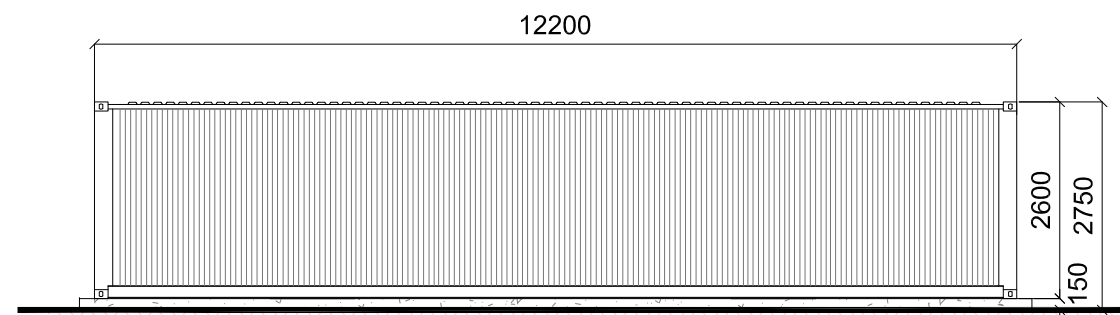
LEGEND:



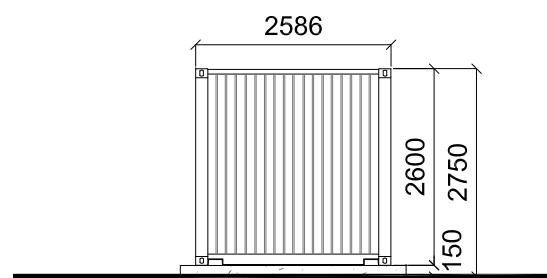
PLAN VIEW



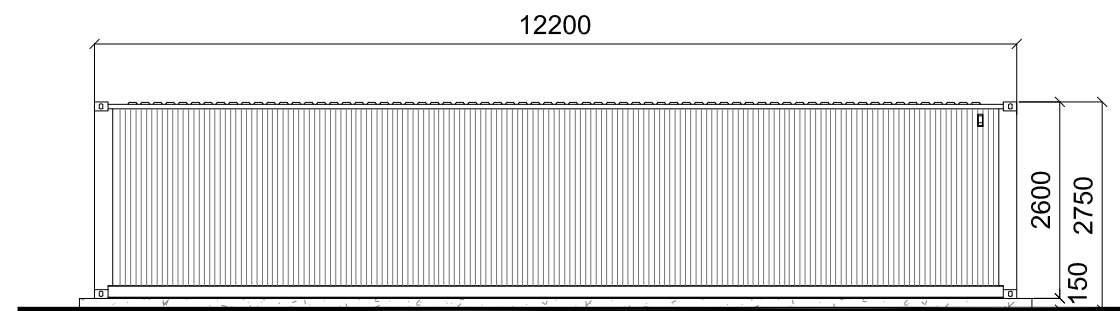
END VIEW



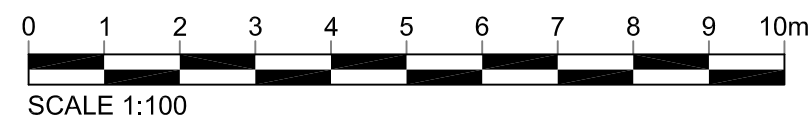
REAR VIEW



END VIEW



FRONT VIEW



Project:

Maes Bach, Pontypridd

Consultant:

Net Zero Twentyfive Limited

Net Zero Twentyfive Ltd
 Foresters Hall,
 25-27 Westow Street,
 London, SE19 3RY

Tel: +44 (0) 2071172077
 Mob: +44 (0) 7737601394

Drawn by:



CADmando Design & Drafting Solutions Ltd
 The Long Barn, The Courtyard, Seven Drive, Tewkesbury
 Business Park, GL20 9GD

Tel: +44 (0) 1684 858019
 Mob: +44 (0) 7814439910

Status:

PLANNING

Drawing Title:

**Standard Drawing:
 40Ft Customer Switchgear**

Drawn: OM	Checked: JH	First Issued: 12.09.2024
--------------	----------------	-----------------------------

Project Code: FST025-	Drawing Number: SD-05
---------------------------------	---------------------------------

Sheet Size: A3	Scale: 1:100	Revision: 01
--------------------------	------------------------	------------------------